



Features

- For AC networks (3-phase)
- Rated current 15 A
- Input voltage ranges: 304...456 VAC; 3-phase 400 VAC (380 VAC)
- Peak protection varistor
- Low profile 28 mm design with blade solder pins; terminal blocks
- Operating temperature range from -50°C...+85°C
- Humidity: up to 98%
- Metal case
- Completely replace the previous generation modules TEFA15-380/400

For all special requirements placed on the last page of datasheet [please click here.](#)

Description

JETAF-400 series protection and filtration modules (filters) are designed to operate in AC networks (3-phase) and to protect analog and digital equipment from surges and to filter noises in the input and output circuits of the modules and power supply units. Filters are made in low profile metal cases with mounting flanges and without flanges and suitable for all types of applications and feature wide temperature range that allows their application in equipment designated for different climatic conditions, including high humidity of up to 98%. Modules are potted using heat-conducting insulating compound.

Pin type leads ensure the mounting of filters on PCB or three dimensional wiring. High reliability is guaranteed by using latest component base. Amorphous nanocrystalline cores in common mode chokes provide reliable noise filtering and temperature stability. Maximum effect is achieved when combining the application of these filters with AC/DC power supplies produced by Goncharov JET.

Order information

JETAF 15 - 400 - S C P

1 2 3 4 5 6

- 1 - «JETAF» Series
- 2 - Rated current, A
- 3 - Input voltages
400 – 400(380) VAC 3-x phase
- 4 - Index of case design
S – version with polymer potting protection
- 5 - Design of outputs and the case
H - base with a cover and blade solder pins
C - base with a cover and terminal blocks*
- 6 - Index of operating temperature range
P -50°C ...+85°C

Technical information

Standard models

Filter	Input voltage range	Limiting voltage @ 1mA*	Rated current	Max. surge current 8/20 μ s*
JETAF15-400W-XXX	304...456 VAC	750 VDC	15 A	4,5 kA

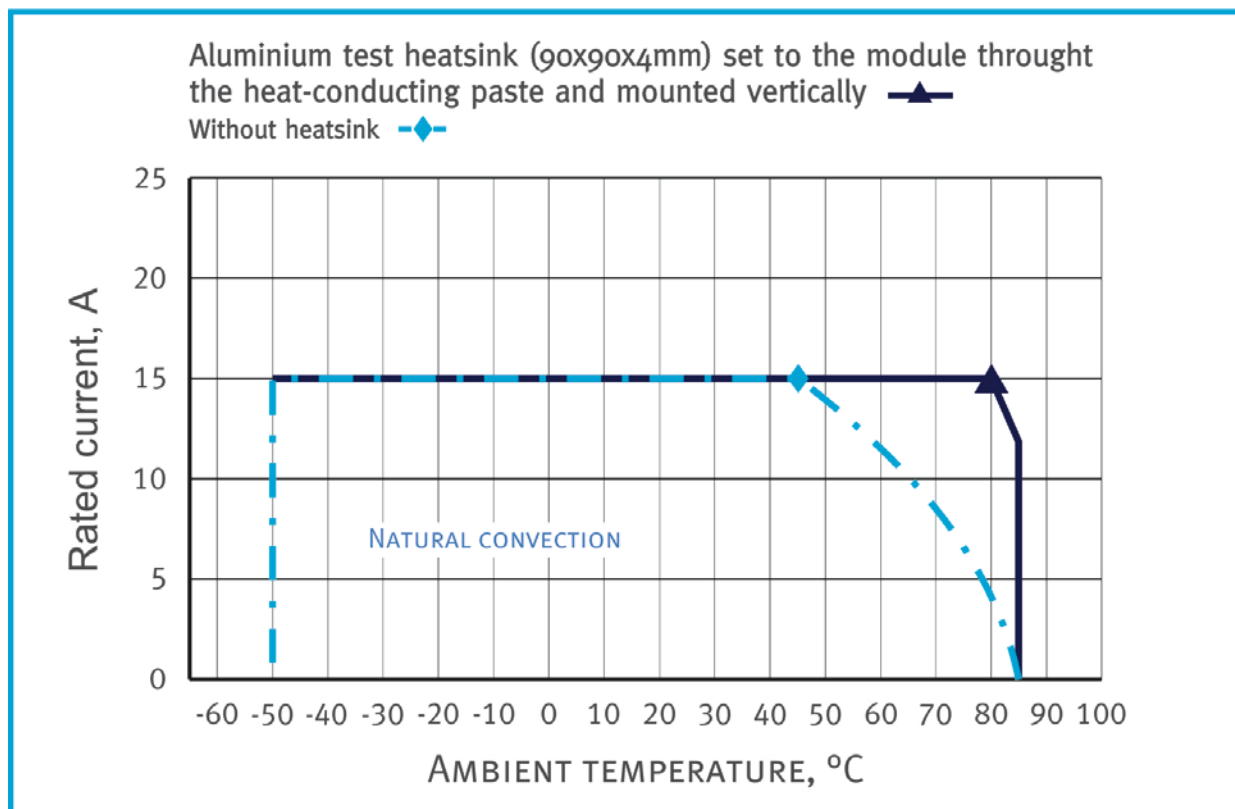
* Modules without surge protection elements can be manufactured on prior request.

Specifications for JETAF1 filters *

Input sprcifications	
Input voltage range	304...456 VAC, 3-phase 400VAC (380VAC)
Input frequency	47...660 Hz
Output specifications	
Insertion loss in frequency range 0,15 ... 30 MHz	See graph
General specifications	
Case temperature (operating and storage)	-50°C...+85°C
Rated current derating (natural convection)	See graph
Humidity	98 % @ 35 °C
Thermal resistance case - ambient without heat sink	2,7 °C/W
Test voltage (Lines/Ground)	1500 VAC
Isolation resistance @ 500 VDC	20 M Ω
MTBF	200000 hours @ +50 °C
Cooling method	free air convection or forced air cooling
Weight (max)	600 g

* All specifications are valid for normal climatic conditions, Uin.nom., Iout.nom., unless otherwise stated.

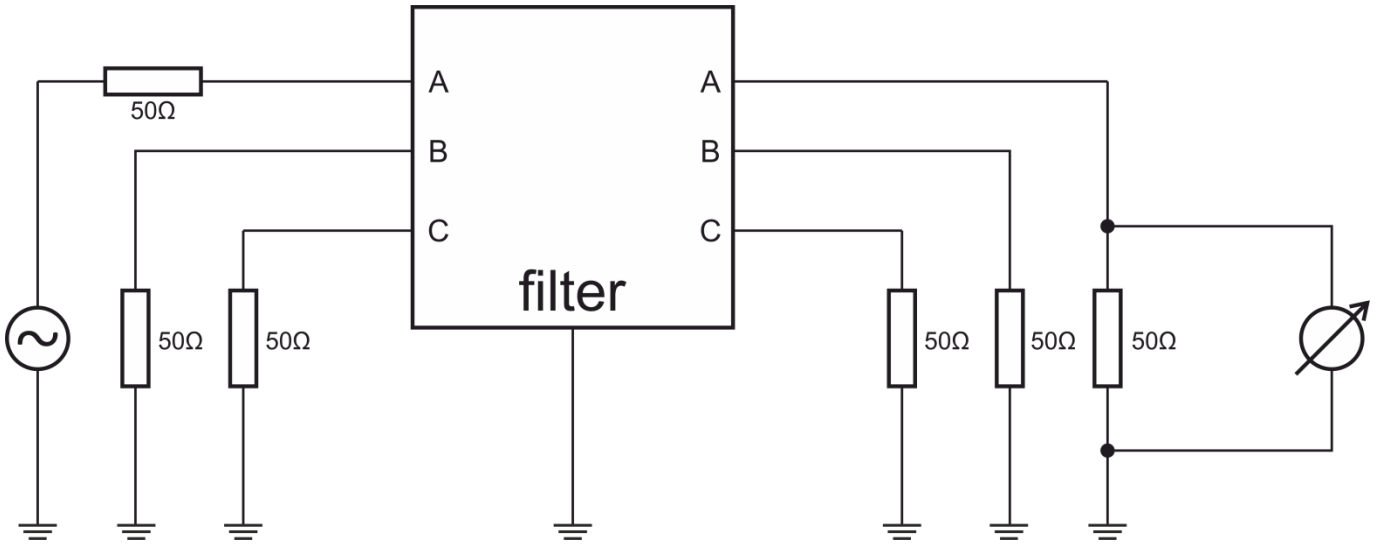
Rated current vs ambient temperature



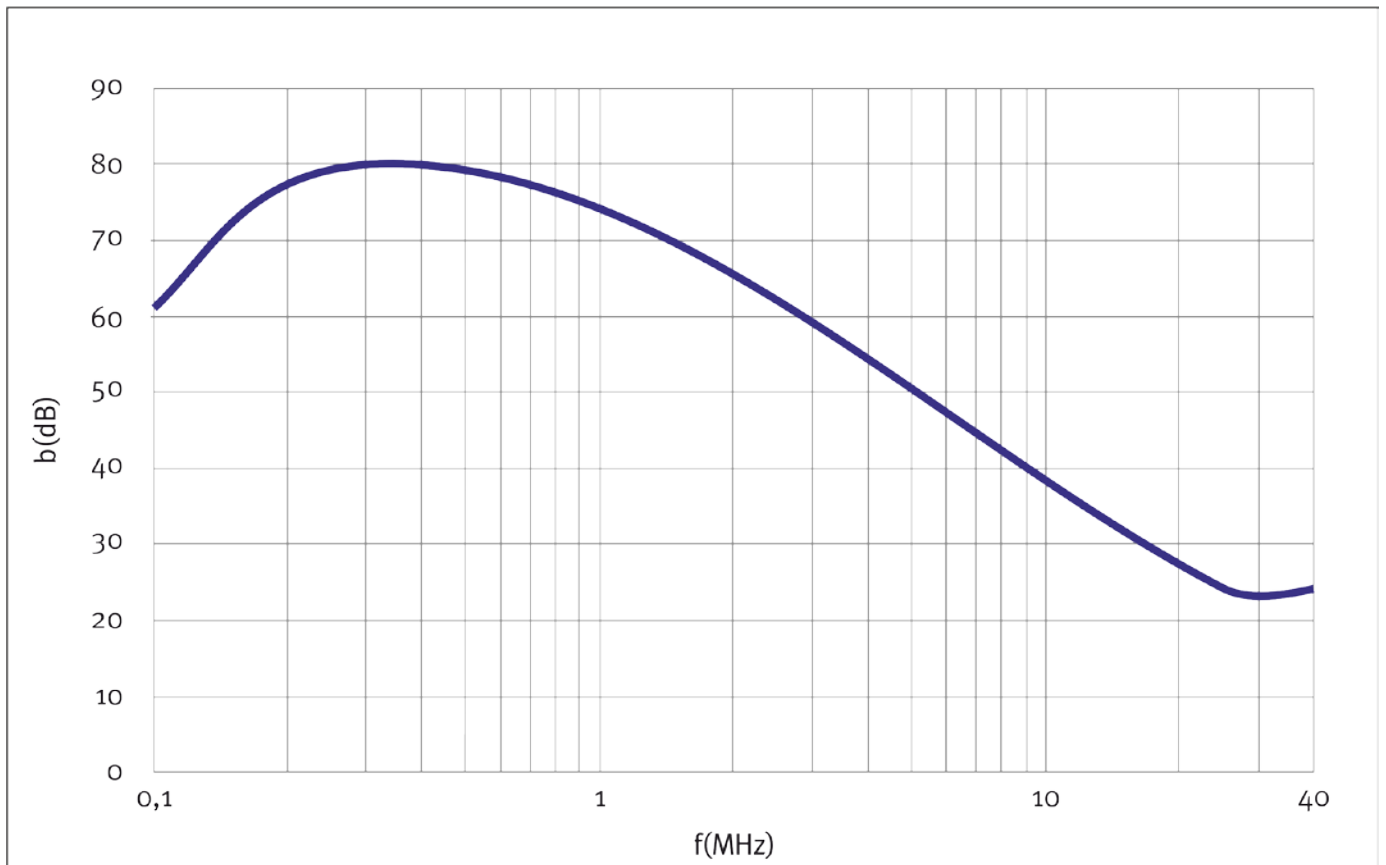
Dropping parts of the dashed and dash-dotted curves are in accordance with the **maximum temperature of the case** +85 °C. Rated current of protection and filtration modules must not exceed the values which are limited by corresponding curve for a given ambient temperature.

At points, ◆ and ▲ simultaneously present several extreme worst-case conditions, such as the combination of maximum case temperature and maximum rated current. Continuous filter operation at these points should be avoided.



Common mode measurement





Typical insertion loss vs frequency



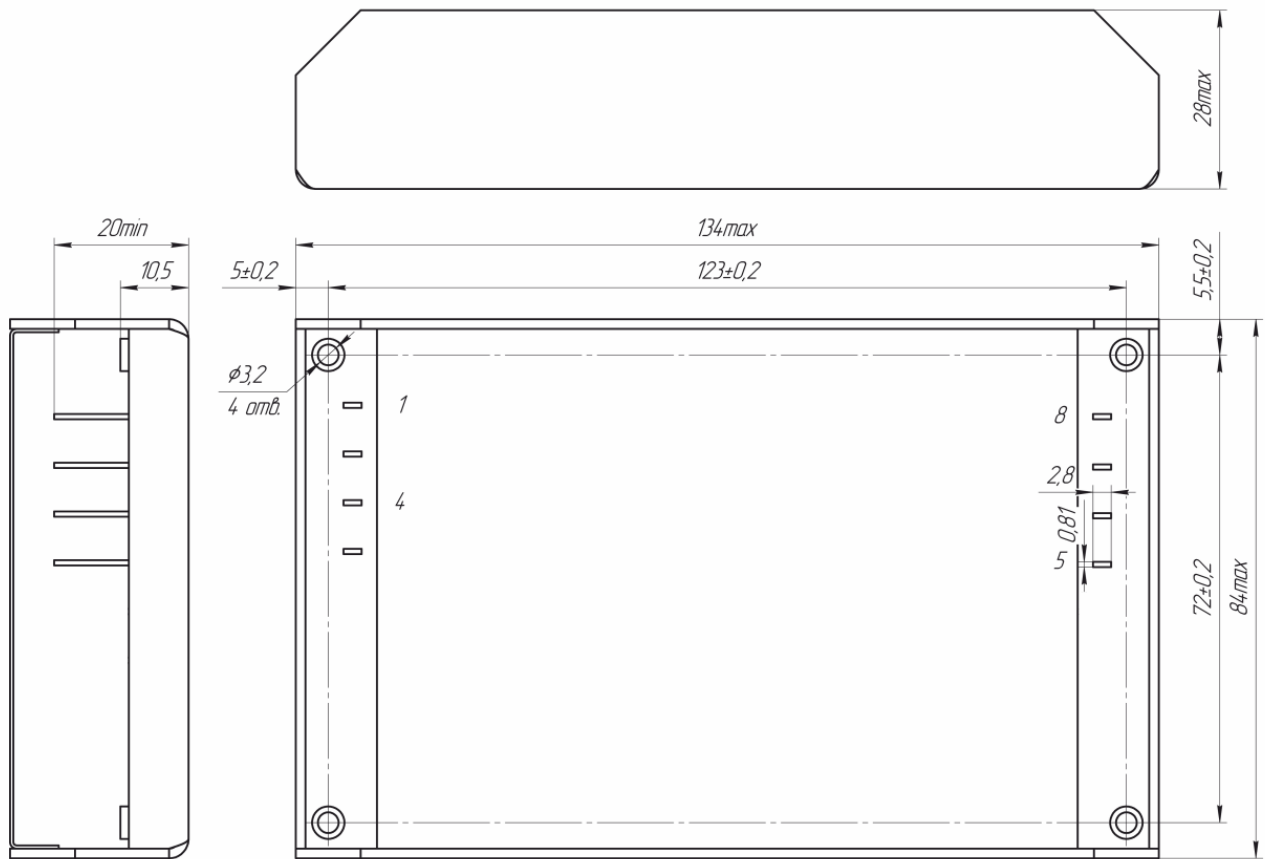
Pin out – JETAF15-400 series (models with the blade solder pins)

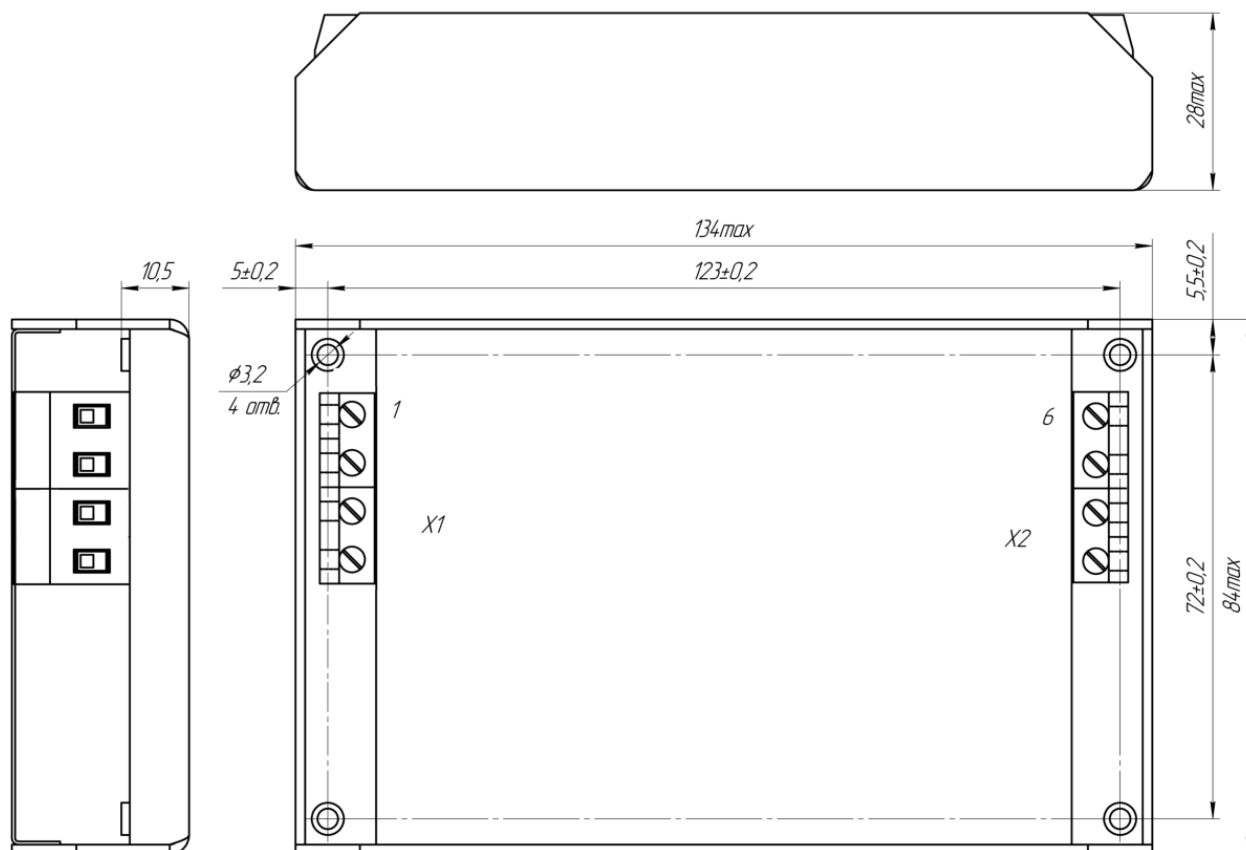
Nº Pin	1	2	3	4	5	6	7	8
Designation	IN 	IN C	IN B	IN A	OUT A	OUT B	OUT C	OUT 

Pin out – JETAF15-400 series (models with the terminal block)

Nº Pin	X1.1	X1.2	X1.3	X1.4	X2.1	X2.2	X2.3	X2.4
Designation	IN 	IN C	IN B	IN A	OUT A	OUT B	OUT C	OUT 

JETAF15-400 with blade solder pins (III A case size)





Certificates

Certificate ISO*
CE conformity declaration

*Management system and R&D of Alexander Electric is ISO certified

Note

The label can be placed on the top surface of the filter and must be removed before installation.

Please, note that all information in this material is for reference only. Further detailed information (including: additional requirements, manuals and circuit schemes) can be found on our website <http://www.goncharov-jet.com>.

Contact information

<http://www.goncharov-jet.com>, e-mail: aeps@aeps-group.cz, tel./fax: +420 281 001 341

According to company's policy in view of constant improvements of the production design, the manufacturer has the right to change the contents of promotional materials without prior notification.

Special requirements

